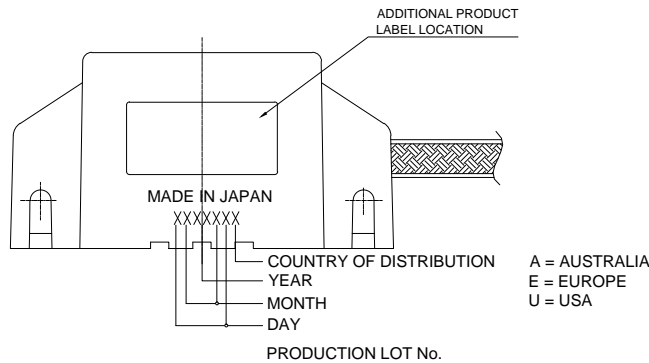
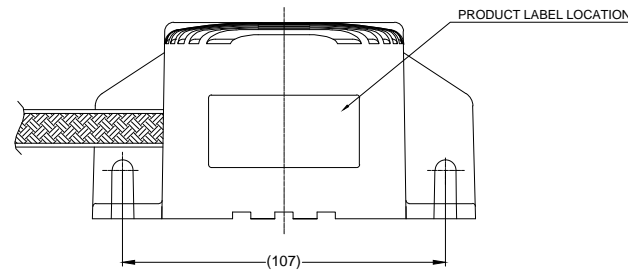
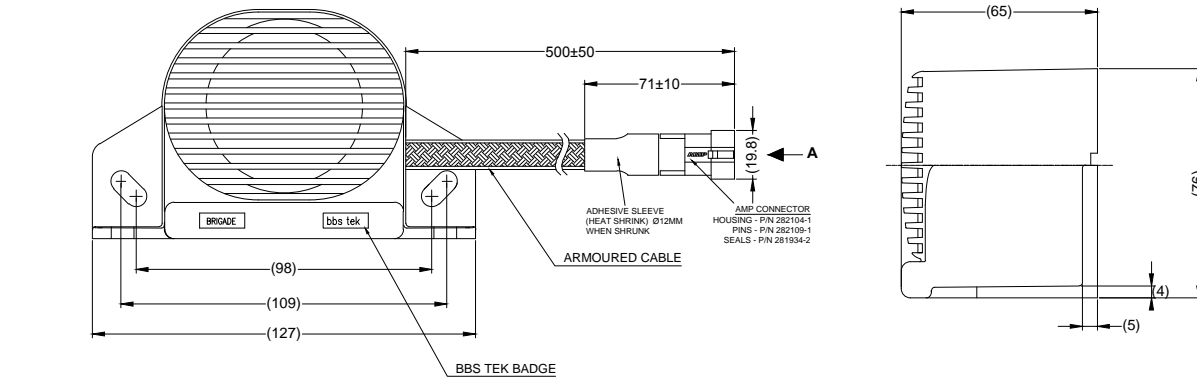


CHANGES FROM BASE PRODUCT BBS-92ADR (2165) TO BBS-92ADR(AMP) (4830)

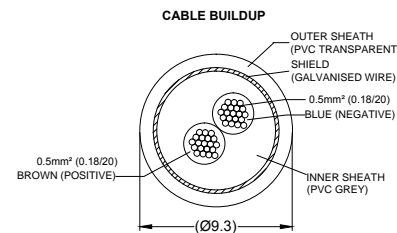
- CHANGE:
- AMP CONNECTOR AND HEAT SHRINK ADDED.
 - INSTRUCTION MANUAL LABEL REMOVED.
 - ADDITIONAL PRODUCT LABEL ADDED. REFER TO LATEST REVISION OF DRAWING BE-003030-00-14.
 - GIFTBOX LABEL REPLACED WITH GENERIC GIFTBOX LABEL. REFER TO LATEST REVISION OF DRAWING BE-003031-00-14.

OPERATION: SAME AS BASE PRODUCT.

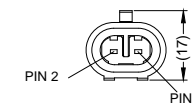
Revision Notes.				
R1 -				
APA: -	Drawn:-	Checked:-	Approved:-	Date: -



VIEW A-A



VIEW A



2 PIN MALE MATING FACE

PIN #	WIRE COLOUR	DESCRIPTION
1	BROWN	+12/24Vdc
2	BLUE	GROUND

SPECIFICATIONS

- RATED VOLTAGE: 12V - 24V DC.
- WORKING VOLTAGE RANG: 9V THROUGH 32V.
- RATED CURRENT: LESS THAN 300mA AT RATED VOLTAGE.
- SOUND PRESSURE: 92dB ± 4 AS DETERMINED AT DISTANCE OF 1.2M IN FRONT OF BODY AT HEIGHT. OF 1M ABOVE GROUND AT RATED VOLTAGE.
- INTERMITTENCY: 80 ± 10 CYCLES/MIN. AT RATED VOLTAGE.
6. TONE: WHITE SOUND(BBS)
7. ENVIRONMENTAL: TESTS PER SAE J994.

- NOTES:
- FINISH: MATT BLACK
 - HOUSING MATERIAL: AES PLASTIC.
 - CABLE SHEATH MATERIAL: PVC.
 - FOR ADDITIONAL PRODUCT LABEL REFER TO LATEST REVISION OF DRAWING: BE-003030-XX-14.
 - FOR GIFTBOX LABEL REFER TO LATEST REVISION OF DRAWING: BE-003031-XX-14.
 - FOR BASE PRODUCT PRODUCT LABEL REFER TO LATEST REVISION OF DRAWING BE-002833-XX-14.

PROPRIETARY NOTICE
THIS DESIGN AND TECHNICAL INFORMATION APPEARING ON THIS DRAWING IS THE PROPERTY OF BRIGADE ELECTRONICS, AND IS DISCLOSED IN CONFIDENCE. IT IS NOT TO BE COPIED, REPRODUCED, REVEALED TO OR EXPROPRIATED BY OTHERS, EITHER IN WHOLE OR IN PART WITHOUT THE EXPRESS WRITTEN CONSENT OF BRIGADE ELECTRONICS.

BRIGADE
www.brigade-electronics.com

Assembly Pl Approval C.PURT 11/12/14	Approved by B.CHILDS	Checked by R.BATES	Drawn by P.MISSEN
Angle of Projection 	Units mm	Scale N/A	Released 11/12/14
Status RELEASED		Assembly Ref -	
Part No 4830		BBS-92ADR(AMP) BE-003029-00-14	